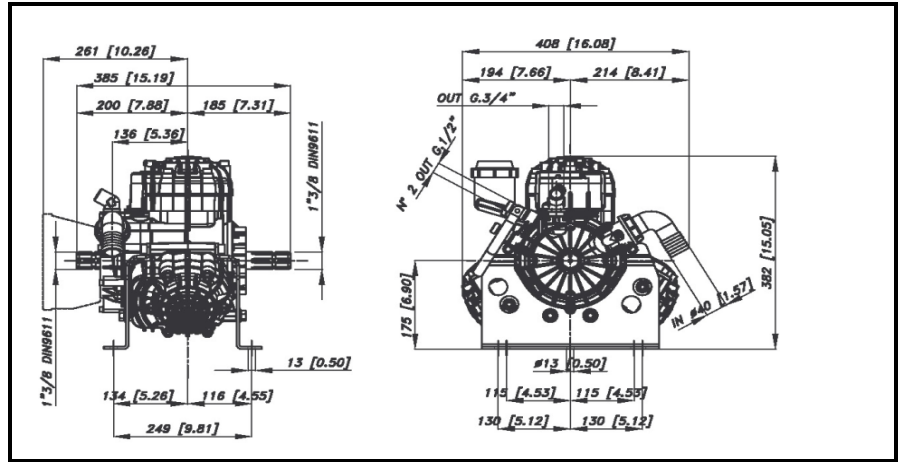
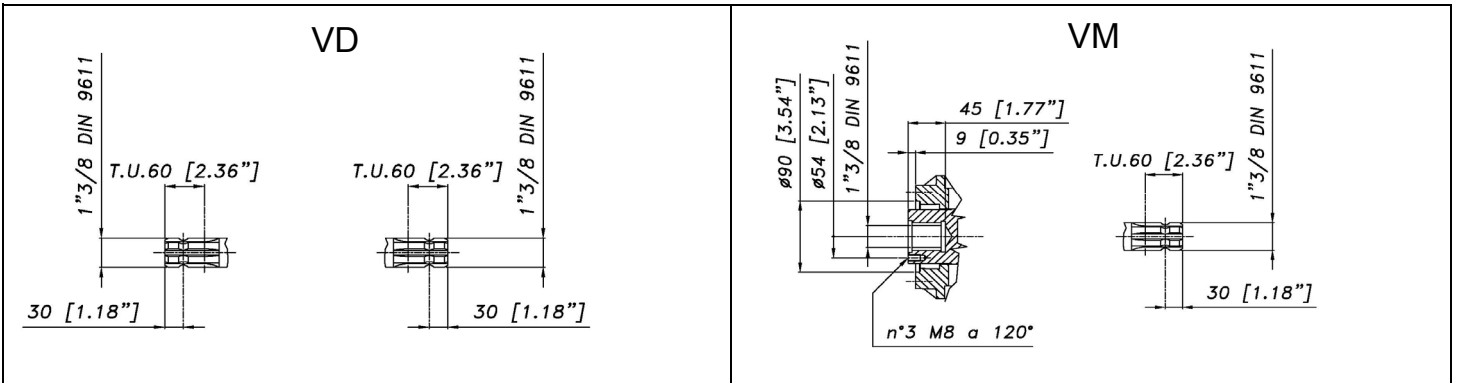


DIMENSIONI D'INGOMBRO - OVERALL DIMENSIONS



ALBERO POMPA - PUMP SHAFT



COPIA DI SERRAGGIO - TORQUE CHART

CODICE - CODE	Q.TY	POS	N-m	Lbr-ft
86.2440.00.2	5	4	7	5,2
86.2435.00.2	3	6	7	5,2
86.3880.00.2	4	24	68	50,2
81.4706.00.2	4	26	68	50,2
86.3694.50.2	1	30	68	50,2
86.2428.00.2	6	38	7	5,2
86.3600.00.2	12	43	44	32,5
86.3638.00.2	6	44	44	32,5
86.2562.00.2	8	56	22	16,2
41.9835.97.3	3	64	25	18,4
86.2682.50.2	2	65	8	5,9
86.2547.00.2	2	79	22	16,2

Tolleranza di serraggio: 0/-10%
Tolerance on torque value:

INFORMAZIONI UTILI
USEFUL INFORMATION

LUBRIFICANTE - LUBRICANT: OLIO MOTORE O SEMIIDRAULICO SAE 75-W90 MOTOR OIL OR SEMI-HYDRAULIC OIL SAE 75-W90				
PRESSIONE ACCUMULATORE ACCUMULATOR PRESSURE				
PRESSIONE DI LAVORO - OPERATING PRESSURE	2 ÷ 5	5 ÷ 10	10 ÷ 20	20 ÷ 40
ACCUMULATORE ACCUMULATOR	2	2 ÷ 5	5 ÷ 7	6 ÷ 8

KIT MEMBRANE/KIT VALVOLE - DIAPHRAGMS KIT / VALVES KIT

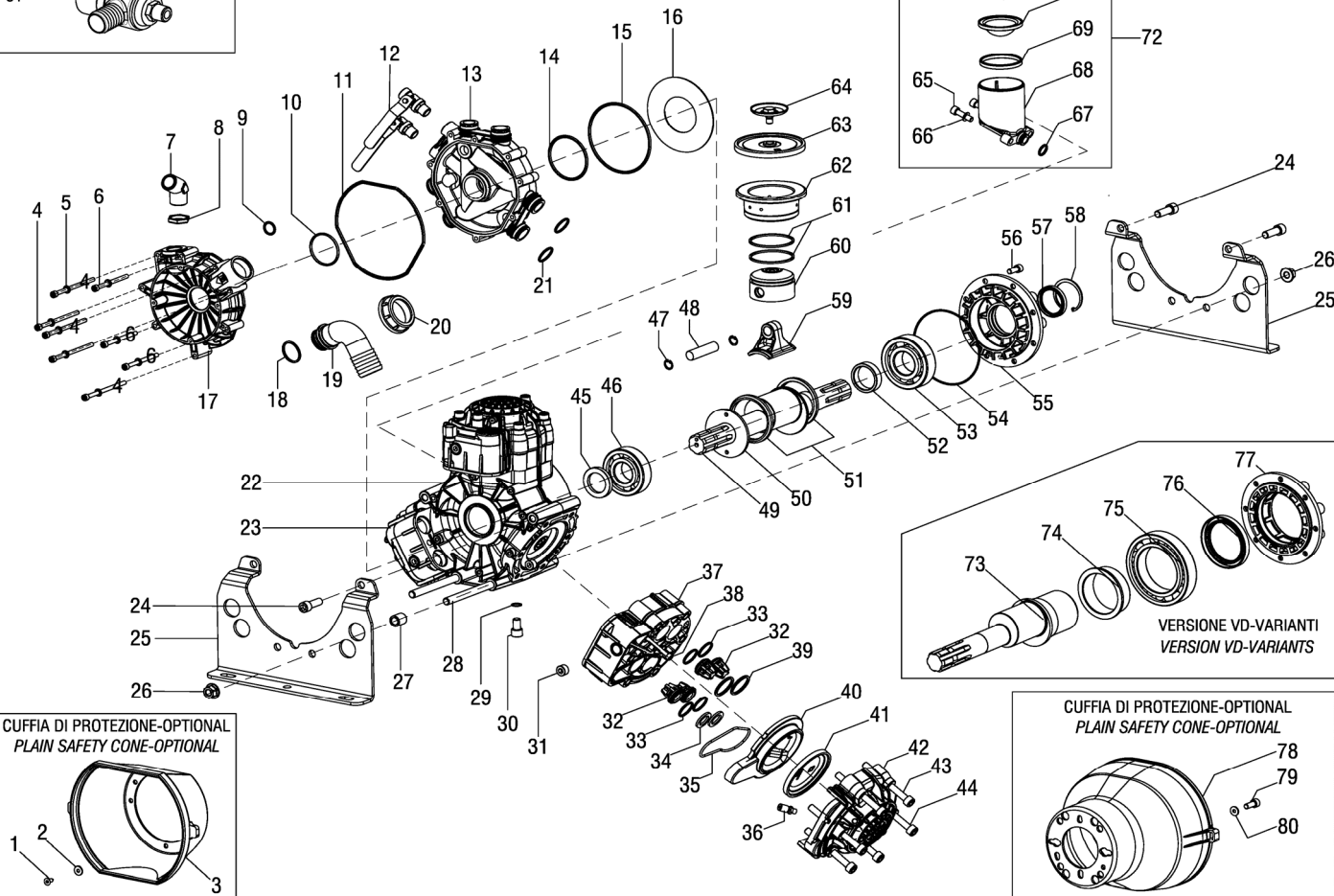
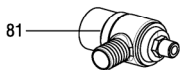
KIT	BUNA - N 39.9802.97.3 DESMOPAN 39.9803.97.3 HPS 39.9804.97.3 PENTAX 39.9811.97.3						VITON 39.9805.97.3									39.9808.97.3	KIT VALVOLE VALVE KIT			
	63	21	41	35	39	33	63	21	41	35	39	33	10	11	9		14	15	32	39
POSIZIONE ESPLOSO POSITION NUMBER	63	21	41	35	39	33	63	21	41	35	39	33	10	11	9	14	15			
QUANTITA' NEL KIT QUANTITIES INCLUDED	3	6	3	3	6	12	3	6	3	3	6	12	1	1	1	1	1	12	6	12

KIT POMPA- PUMP KIT

KIT	39.9806.97.3	KIT POMPA VD PUMP KIT VD														39.9808.97.3	KIT POMPA VM PUMP KIT VM													
		21	35	39	33	10	11	9	14	15	45	54	57	67	21		35	39	33	10	11	9	14	15	45	54	76	67		
POSIZIONE ESPLOSO POSITION NUMBER		21	35	39	33	10	11	9	14	15	45	54	57	67		21	35	39	33	10	11	9	14	15	45	54	76	67		
QUANTITA' NEL KIT QUANTITIES INCLUDED		6	3	6	12	1	1	1	1	1	1	1	1	1		6	3	6	12	1	1	1	1	1	1	1	1	1		

PPS 1211 - 1212

VALVOLA DI SICUREZZA-OPTIONAL
SAFETY VALVE-OPTIONAL



POS.	CODICE PART NO. REF.	DENOMINAZIONE - DESCRIPTION - DESCRIPTION	Q.TY
1	84.3560.00.2	WASHER D.5,5x15x1,6 (OPTIONAL)	3
2	86.1846.00.2	SCREW 5,5x16 (OPTIONAL)	3
3	31.1466.32.2	PLAIN SAFETY CONE (OPTIONAL)	1
4	86.2440.00.2	BOLT M6X100 UNI 5931	5
5	84.3585.00.2	WASHER D.6	8
6	86.2435.00.2	BOLT M6X80 UNI 5931	3
7	83.5063.28.2	60° ELBOW CONNECTOR G.3/4	1
8	81.4909.00.2	NUT G.3/4 OT.	1
9	80.3182.50.2	O-RING 2,62X17,13 VITON	1
10	80.3270.50.2	O-RING 3,53X49,2 (KIT VITON)	1
11	80.3296.10.2	O-RING 3,53X151,99 VITON	1
12	84.5544.10.2	LEFT TAP G.3/8-G.1/2	1
13	39.0002.32.2	MANIFOLD	1
14	80.3283.71.2	O-RING 3,53X68,26 VITON	1
15	80.3291.08.2	O-RING 3,53X113,9 VITON	1
16	39.0005.68.2	DISK	1
17	39.0003.32.2	COVER	1
18	80.3219.10.2	O-RING DIA.3,0x30	1
19	84.0591.00.2	90° ELBOW CONNECTOR DIA.40-1,57"	1
20	82.0070.00.a	WING NUT G.1"1/2	1
21	80.3204.50.2	O-RING 2,62X23,81 VITON	6
22	39.0001.09.2	CRANCKCASE	1
23	40.0006.09.2	RIGHT BALLASTER COVER	2
24	86.3880.00.2	BOLT M12X35 UNI 5931	4
25	39.0006.61.2	MOUNTING RAIL	63
26	81.4706.00.2	SELF-LOCKING NUT	4
27	39.0012.49.2	SPACER	2
28	39.0009.49.2	TIE BOLT M12	2
29	82.4079.00.2	COPPER WASHER DIA.13,2X17X1	1
30	86.3694.50.2	BOLT M12X20 UNI 5931	1
31	85.2586.00.2	CAP EI G.3/8	3
32	40.9800.97.3	VALVES ASSEMBLY	12
33	80.3205.60.2	O-RING R 2,62X25,07 VITON	12
34	40.0015.61.2	SPACER	6
35	40.0022.33.2	SHAPED O-RING VITON	3
36	86.1605.00.2	AIR VALVE	3
37	40.0002.32.2	PUMP HEAD	3
38	86.2428.00.2	SCREW TCEI M6X65	6
39	80.3208.05.2	O-RING 2,62X32,99 VITON	6
40	40.0003.32.2	LOWER BALLASTER	3
41	40.0011.31.2	BUNA-N BALLASTER DIAPHRAGM	3
41	40.0011.33.2	VITON BALLASTER DIAPHRAGM (OPTIONAL)	4
42	40.0014.09.2	LEFT BALLASTER COVER	1
43	86.3600.00.2	SCREW TCEI M10X95	12
44	86.3638.00.2	SCREW TCEI M10X110	6
45	80.2143.10.2	OIL SEAL DIA.35X52X7	1

POS.	CODICE PART NO. REF.	DENOMINAZIONE - DESCRIPTION - DESCRIPTION	Q.TY
46	81.2867.00.2	BEARING DIA.35X80X21	1
47	80.0021.00.2	SNAP RING	6
48	85.2007.00.2	PIN 15x54	3
49	41.0033.26.2	SHAFT (VD VERSION)	1
50	41.0023.61.2	SHAFT RING	1
51	14.0015.76.2	CONROD HOLDING RING	2
52	39.0007.41.2	SPACER	1
53	81.2913.00.2	BEARING DIA.40X90X23	1
54	80.3210.68.2	O-RING DIA.2,62X120,32	1
55	48.0003.09.2	BEARING COVER (VD VERSION)	1
56	86.2562.00.2	SCREW TCEI M8X20	8
57	80.2178.10.2	OIL SEAL DIA.40x52x7	1
58	80.1369.00.2	RING D.52	1
59	39.0004.11.2	CONROD	3
60	37.0016.09.2	PISTON (PPS 1211)	3
60	48.0028.09.2	PISTON (PPS 1212)	3
61	81.8527.00.2	PISTON RING (PPS 1211)	6
61	81.8530.00.2	PISTON RING (PPS 1212)	6
62	43.0015.01.2	SLEEVE (PPS 1211)	3
62	48.0029.01.2	SLEEVE (PPS 1212)	3
63	95.0040.31.2	BUNA-N PISTON DIAPHRAGM	3
63	95.0040.33.2	VITON PISTON DIAPHRAGM (OPTIONAL)	3
63	95.0040.00.2	DESMOPAN PISTON DIAPHRAGM (OPTIONAL)	3
63	95.0040.36.2	HPS PISTON DIAPHRAGM (OPTIONAL)	3
63	95.0040.37.2	PENTAX PISTON DIAPHRAGM (OPTIONAL)	3
64	41.9835.97.3	KIT DISK + SCREW INOX	3
65	86.2682.50.2	BOLT M8X25 UNI 5931	2
66	84.3685.50.2	ROSETTA D.8,2X15X1,5 UNI 1750	2
67	80.3180.00.2	O-RING DIA.2,62X15,08	1
68	55.0004.32.2	OIL FILLER	1
69	14.0116.32.2	DIAPHRAGM SPACER	1
70	41.0017.31.2	MEMBRANA SERBATOIO	1
71	28.0144.32.2	OIL FILLER CAP	1
72	55.9817.97.3	OLI FILLER ASSY	1
73	40.0017.26.2	SHAFT (VM VERSION)	1
74	39.0010.54.2	SHAFT BUSH	1
75	81.3023.00.2	BEARING 80X125X22	1
76	80.2264.10.2	OIL SEAL DIA.68X90X10	1
77	39.0008.09.2	BEARING COVER (VM VERSION)	1
78	31.1482.32.2	PLAIN SAFETY CONE L.180 (OPTIONAL)	1
78	31.1468.32.2	PLAIN SAFETY CONE L.135 (OPTIONAL)	1
79	86.2547.00.2	SCREW TCEI M8X18 (OPTIONAL)	2
80	84.3696.00.2	WASHER D.8.4 (OPTIONAL)	2
81	24.3050.97.3	SAFETY VALVE 50 BAR (OPTIONAL)	1